

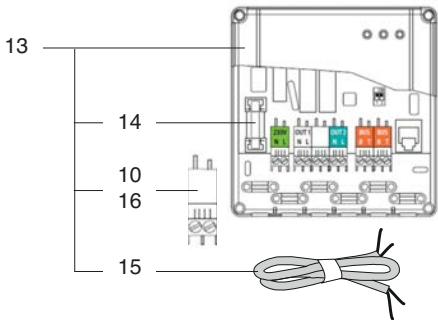
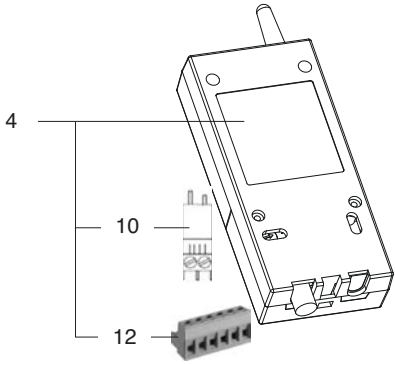
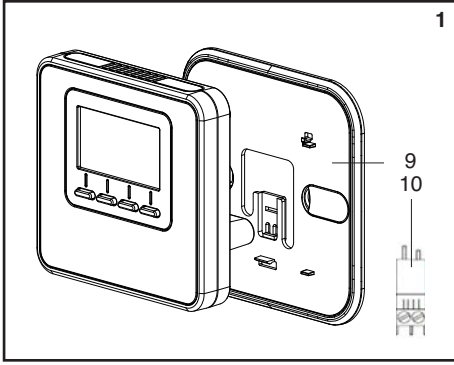


SPARE PARTS EXPLODED VIEW
ACCESSORIES FOR CONTROLLERS
Model
THERMOREGULATION ONE/ADVANCE

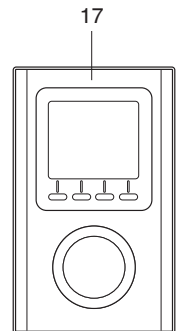
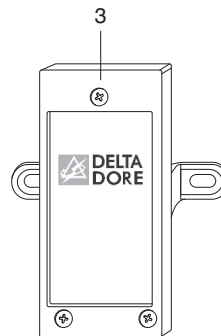
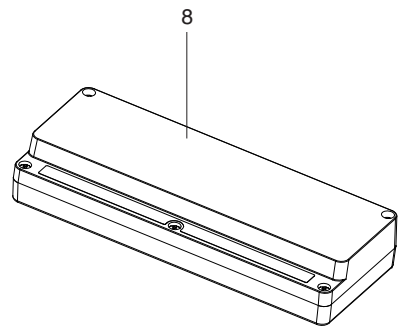
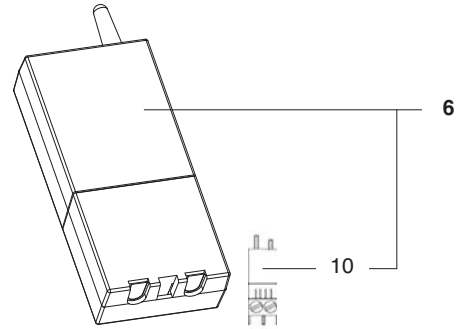
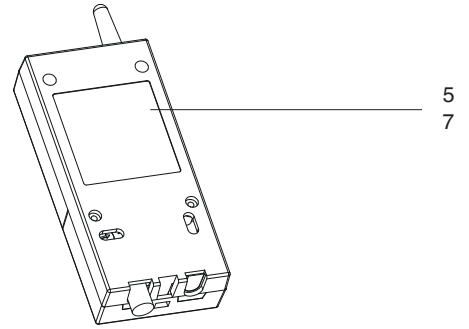
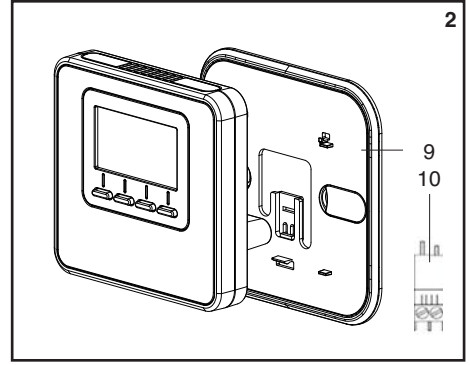
R8217914-03 - 09/01/2023

Table with 5 columns: Col, Reference, Model type, Begin, End. It lists 17 spare parts including CUBE ROOM SENSOR WIRED, ZONE CONTROL EVO WIRED, CUBE ROOM SENSOR WIRELESS EU, etc.

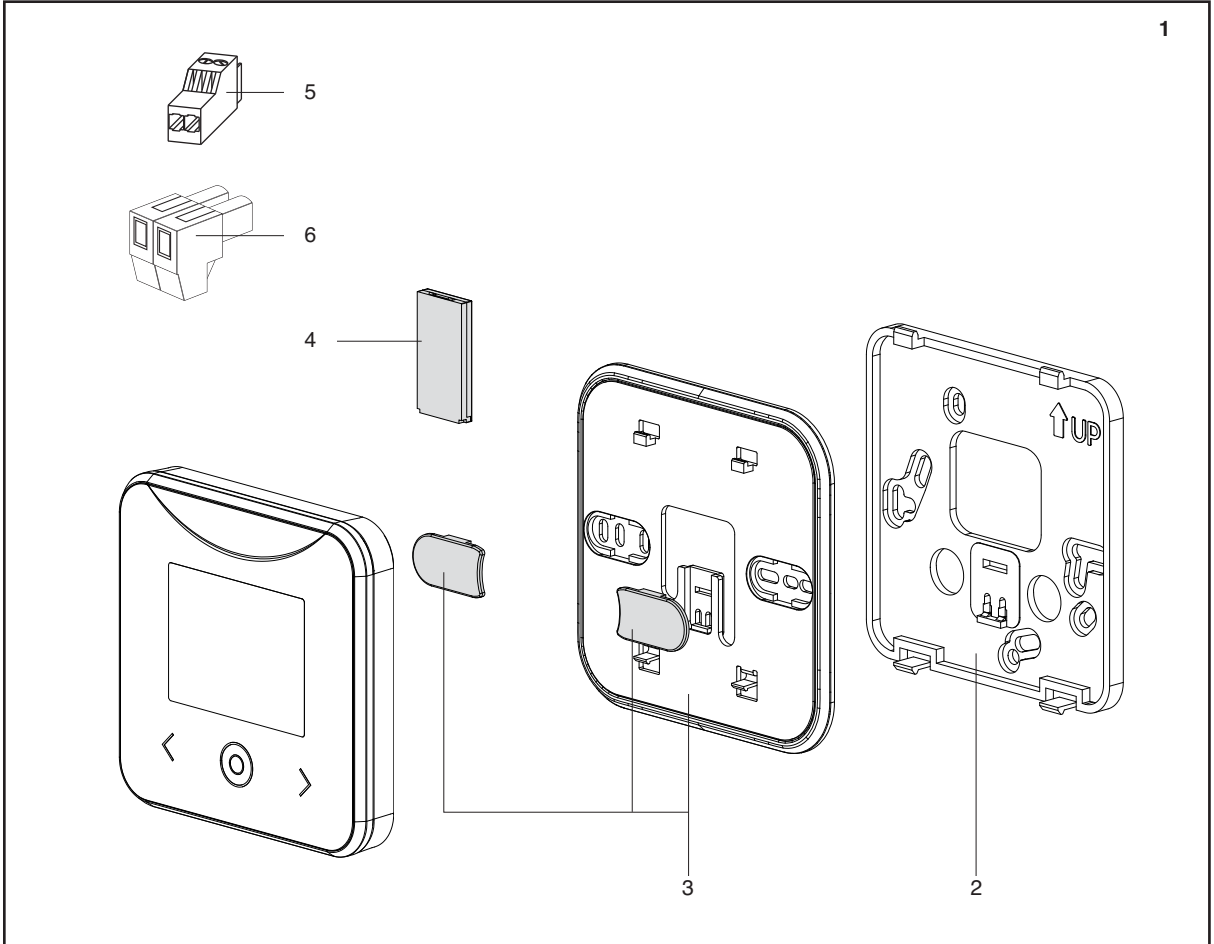
WIRED



WIRELESS



NET



LIST OF THE ABBREVIATIONS

HW	: Hot water.
CW	: Cold water.
C	: Ceramic resistance (normal heating).
Ca	: Ceramic resistance (accelerated heating)
TP	: Immersion heater.
1F	: With fittings.
2F	: Without fittings.
3F	: With fittings and another outlet connection.
AMI	: With mixing valve.
SMI	: Without mixing valve.
PUISS	: Power of th appliance.
PN	: Appliance with normal pression.
LP	: Appliance with low pression.
PV	: Appliance with variable power.
PF	: Appliance with fixed power.

The indications mentioned on the prices, commercial or technical literature and the scheme are written for your guidance and are available at a given time. The CONSTRUCTOR retains the power to modify the presentation, the form, the size, the conception or the material of the products.
